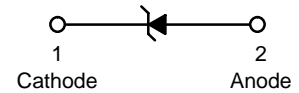
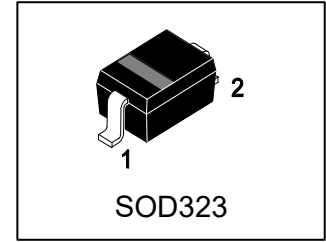


MBR140H

S-MBR140H

Surface Mount Schottky Power Rectifier



1. FEATURES

- Small power mold type.
- Low IR
- High reliability.
- Silicon epitaxial planar
- We declare that the material of product compliance with RoHS requirements and Halogen Free.
- S- prefix for automotive and other applications requiring unique site and control change requirements; AEC-Q101 qualified and PPAP capable.

2. DEVICE MARKING AND ORDERING INFORMATION

Device	Marking	Shipping
MBR140H	S7	3000/Tape&Reel

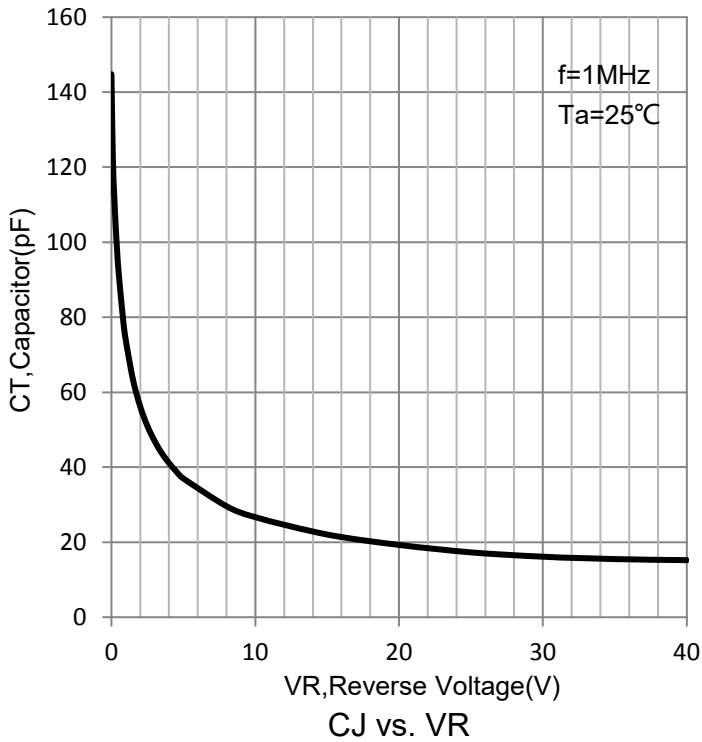
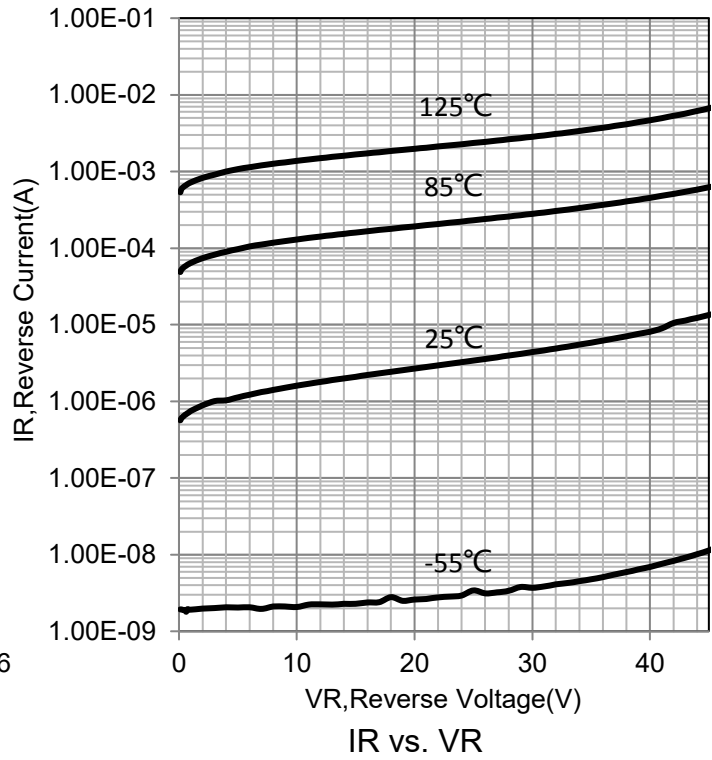
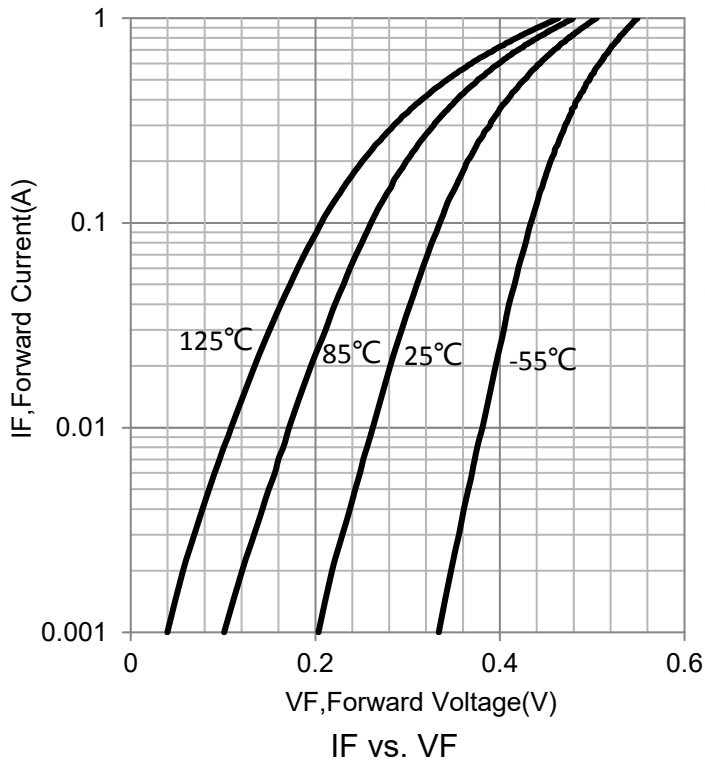
3. MAXIMUM RATINGS(Ta = 25°C)

Parameter	Symbol	Limits	Unit
Reverse voltage (repetitive peak)	VRM	40	V
Reverse voltage (DC)	VR	40	V
Average rectified forward current	IO	1	A
Forward current surge peak (tp=8.3ms)	IFSM	3.5	A
Junction temperature	TJ	125	°C
Storage temperature range	TSTG	-40 ~ +125	°C

4. ELECTRICAL CHARACTERISTICS (Ta= 25°C)

Characteristic	Symbol	Min	Typ.	Max	Unit
Forward voltage (IF = 1.0 A)	VF	-	0.54	0.56	V
Reverse current (VR=40V)	IR	-	4	30	μA

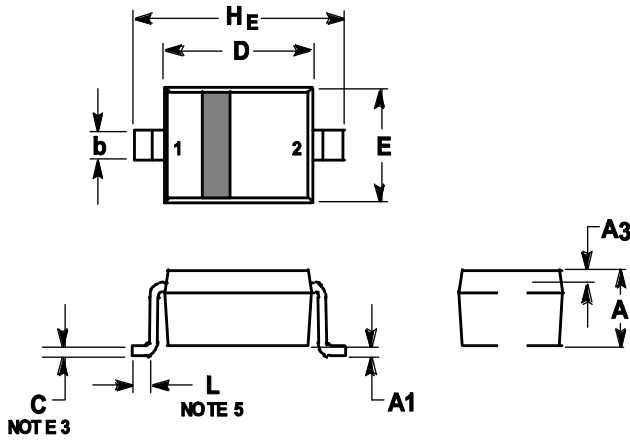


5.ELECTRICAL CHARACTERISTICS CURVES


6. OUTLINE AND DIMENSIONS

Notes:

1. DIMENSIONING AND TOLERANCING PER ANSI Y14.5M, 1982.
2. CONTROLLING DIMENSION: MILLIMETERS.
3. MAXIMUM LEAD THICKNESS INCLUDES LEAD FINISH. MINIMUM LEAD THICKNESS IS THE MINIMUM THICKNESS OF BASE MATERIAL.
4. DIMENSIONS D AND E DO NOT INCLUDE MOLD FLASH, PROTRUSIONS OR GATE BURRS.



DIM	MILLIMETERS			INCHES		
	MIN	NOM	MAX	MIN	NOM	MAX
A	0.8	0.9	1	0.031	0.035	0.04
A1	0	0.05	0.1	0	0.002	0.004
A3	0.15REF			0.006REF		
b	0.25	0.32	0.4	0.01	0.012	0.016
C	0.089	0.12	0.177	0.003	0.005	0.007
D	1.6	1.7	1.8	0.062	0.066	0.07
E	1.15	1.25	1.35	0.045	0.049	0.053
L	0.08			0.003		
HE	2.3	2.5	2.7	0.09	0.098	0.105

7. SOLDERING FOOTPRINT
