

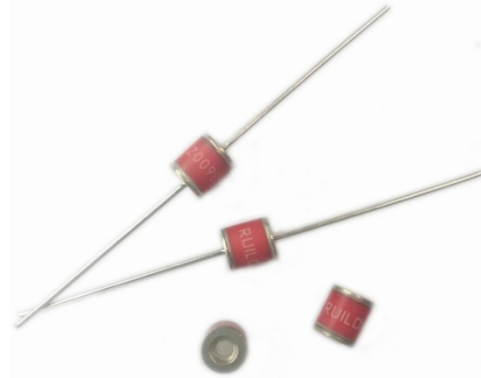
Gas Discharge Tubes (GDT)

2R-5(1000~4500V)

Description

2R-5 Gas Discharge Tubes (GDT) series provides high levels of protection against fast rising transients caused by lightning disturbances. Offered in a miniature surface mount package, it has a surge rating of 5KA/3KA 8/20 μ s.

2R-5 GDTs are high voltage (1000-4500V) components designed for surge protection and high isolation applications. It is also suitable for applications for which bias voltage or signal levels of several hundred volts are normally present. 2R-5 GDTs can be used in conjunction with MOVs (Metal Oxide Varistors) to provide superior protection performance for AC applications.



Agency Approvals

Agency	Standards	Certificate No.
	UL1449	E479668
	EN 61643-311 IEC 61643-311	J50571931

Features

- I Voltage Ranges 1000V to 4500V
- I Excellent response to fast rising transients
- I 8/20 μ s Impulse current capability: 5KA/3KA
- I Non-Radioactive
- I Ultra Low capacitance (<1pF)
- I Size: Φ 5.5mm*6mm
- I Storage and operational temperature: -40~+125°C

Applications

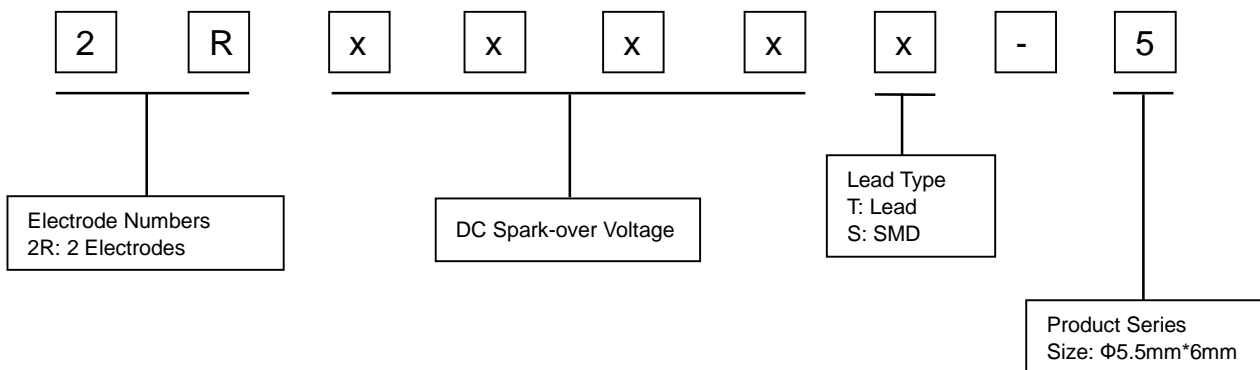
Automotive:

- I On-board chargers
- I Vehicle charging stations

Others:

- I LED lighting
- I Power supply
- I Photovoltaic
- I Air conditioning

Part Number Code



Gas Discharge Tubes (GDT)

2R-5(1000~4500V)

Electrical Characteristics

Part Number		DC Spark-over Voltage ^{1) 2)} @100V/S	Impulse Spark-over Voltage		Insulation Resistance ³⁾	Capacitance @1MHz	Glow Voltage @10mA	Arc Voltage @1A	AC Withstand Voltage @5mA 1Min	Life Ratings		
			100V/μS	1KV/μS						Impulse Discharge Current @8/20μS		Alternating Discharge Current @50Hz 1S
			Max	Max						±5 times	1 time	
DIP	SMD	V	V	V	GΩ	pF	V	V	V	KA	KA	A
2R1000T-5	2R1000S-5	1000±20%	1500	1600	1	1	150	15	500	5	10	2
2R1200T-5	2R1200S-5	1200±20%	1700	1800	1	1	150	15	600	5	10	2
2R1400T-5	2R1400S-5	1400±20%	2100	2200	1	1	170	18	700	5	10	2
2R1500T-5	2R1500S-5	1500±20%	2300	2500	1	1	170	18	750	5	10	2
2R1600T-5	2R1600S-5	1600±20%	2600	2800	1	1	170	18	800	5	10	2
2R2000T-5	2R2000S-5	2000±20%	3300	3500	1	1	260	30	1000	3	5	1
2R2500T-5	2R2500S-5	2500±20%	3800	4000	1	1	260	30	1300	3	5	1
2R2700T-5	2R2700S-5	2300~3240	4000	4200	1	1	260	30	1500	3	5	1
2R3000T-5	2R3000S-5	3000±20%	4300	4500	1	1	260	30	1600	3	5	1
2R3600T-5	2R3600S-5	3600±20%	4800	5000	1	1	260	30	1900	3	5	1
2R4000T-5	2R4000S-5	4000±20%	5800	6000	1	1	260	35	2100	3	5	1
2R4500T-5	2R4500S-5	4500±20%	6300	6500	1	1	260	35	2300	3	5	1
Glow to Arc transition Current.....						~0.3A						
Weight.....						DIP ~0.7g SMD ~0.43g						
Operation and storage temperature.....						-40~+125°C						
Climatic category (IEC 60068-1).....						40/125/21						
Marking, red negative.....						RUILON XXX Y XXX -Nominal voltage Y -Year of production						
Surface treatment.....						DIP -Nickel Plated SMD -Matte-tin plated						

¹⁾ At delivery AQL 0.65 level II, DIN ISO 2859.

²⁾ In ionized mode.

³⁾ Insulation Resistance Measuring Voltage at DC 100V.

Terms in accordance with ITU-T Rec. K.12, IEC 61643-311, GB/T 18802.311.

Certifications table

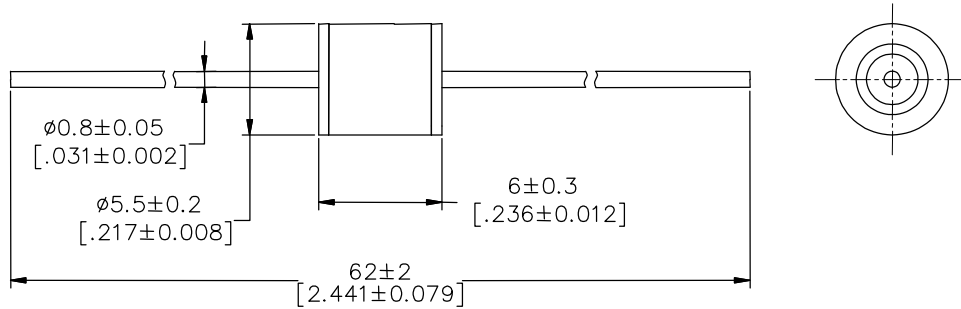
Part Number			
DIP	SMD	UL1449	EN 61643-311 IEC 61643-311
2R1000T-5	2R1000S-5	•	--
2R1200T-5	2R1200S-5	•	--
2R1400T-5	2R1400S-5	•	--
2R1500T-5	2R1500S-5	--	--
2R1600T-5	2R1600S-5	•	--
2R2000T-5	2R2000S-5	•	•
2R2500T-5	2R2500S-5	•	•
2R2700T-5	2R2700S-5	--	--
2R3000T-5	2R3000S-5	•	•
2R3600T-5	2R3600S-5	•	•
2R4000T-5	2R4000S-5	--	--
2R4500T-5	2R4500S-5	--	--

Notes:

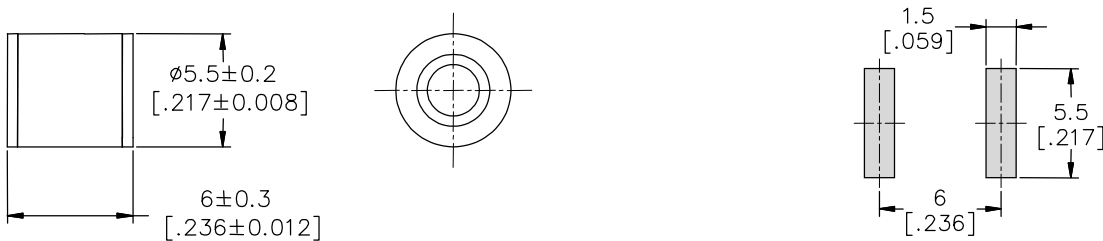
- indicates that the product has passed the certification.
- indicates that the product is not certified.

Dimensions (Unit: mm/inch)

DIP Series (2RxxxT-5)



SMD Series (2RxxxS-5)



Recommended Soldering Pad Layout

Gas Discharge Tubes (GDT)

2R-5(1000~4500V)

Packaging Information

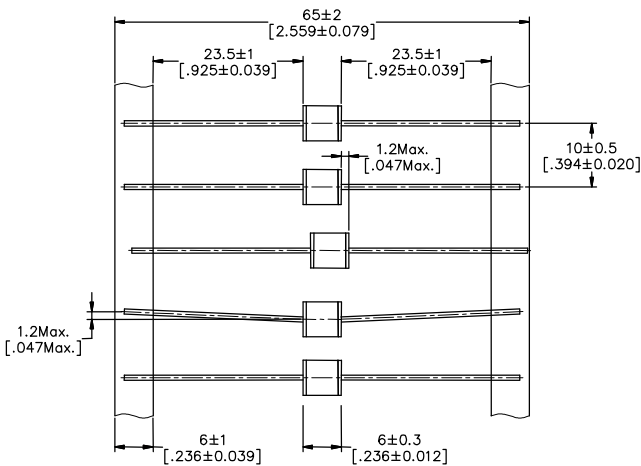
Axial Packaging (Bulk)

	PVC tray	Inner Box	Carton
Size	265×148×10mm	275×150×50mm	315×290×272mm
Quantity	MPQ: 1 tray=100pcs	MOQ: 1 Inner Box=5 trays=500pcs	1 Carton=10 Inner boxes=5,000pcs
Photos			

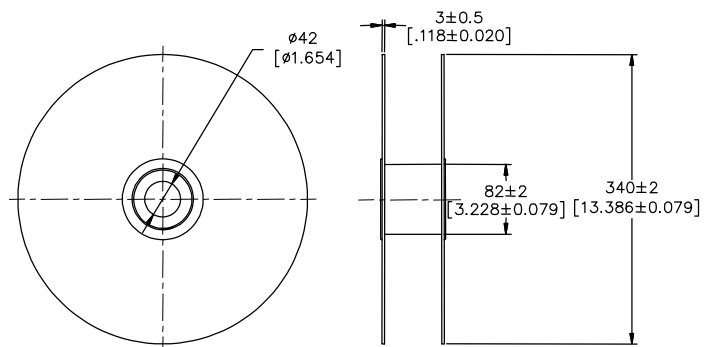
Axial Packaging (Tape & Reel)

Tape

Reel

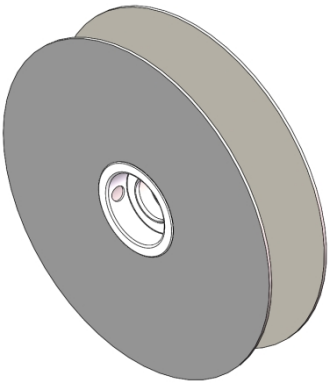
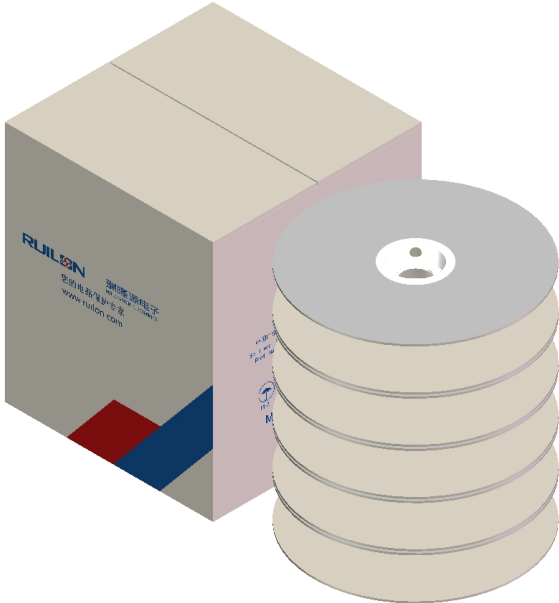


According to IEC 60286-1



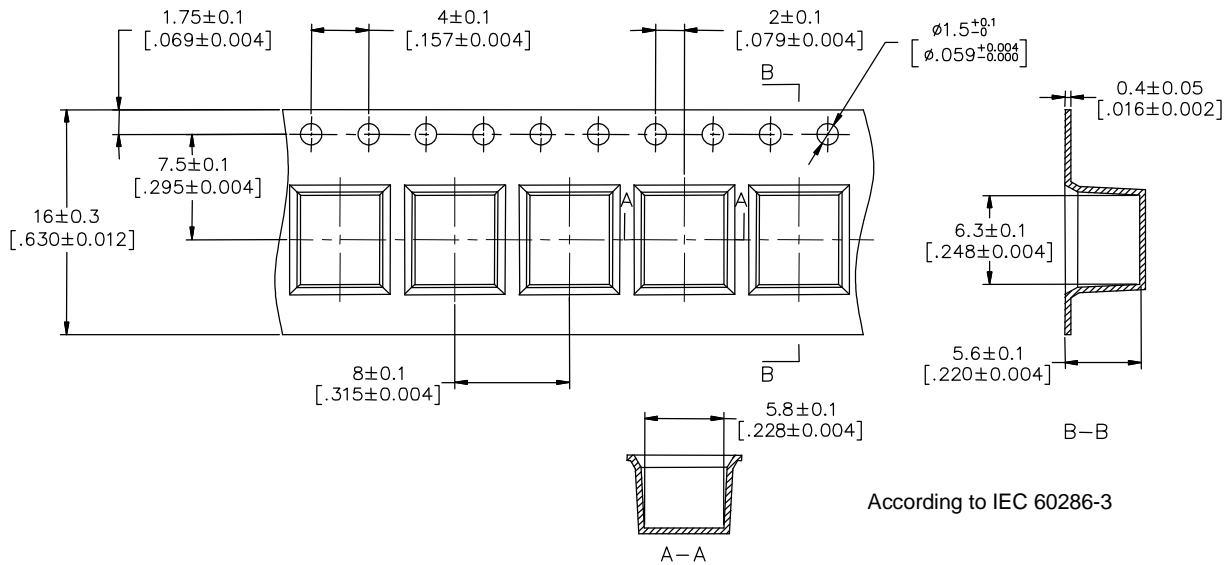
Gas Discharge Tubes (GDT)

2R-5(1000~4500V)

	Reel	Carton
Size	340×78mm	350×350×407mm
Quantity	MPQ/MOQ: 1 reel=1,000pcs	1 Carton=5 reels =5,000pcs
Photos		

SMD Packaging (Tape & Reel)

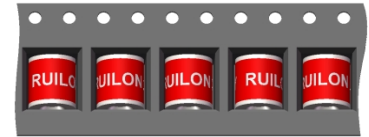
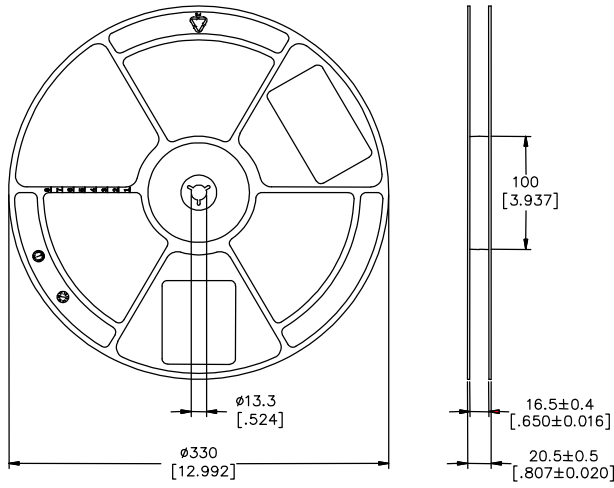
Tape



Gas Discharge Tubes (GDT)

2R-5(1000~4500V)

Reel



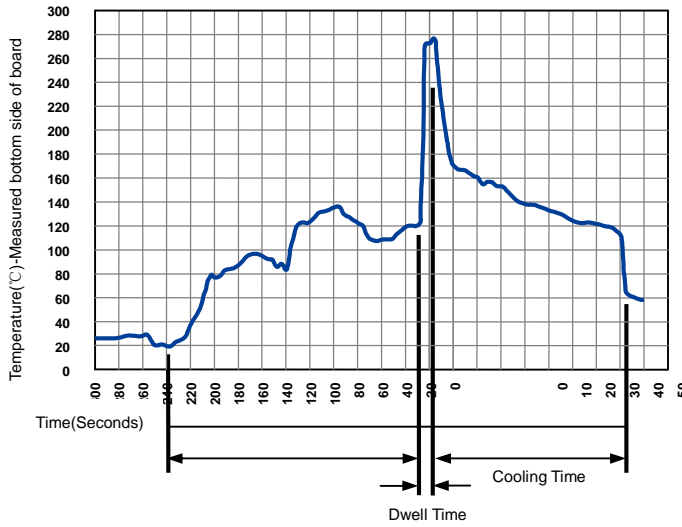
Direction of Unreeling

	Reel	Inner Box	Carton
Size	330×20.5mm	340×333×70mm	375×353×380mm
Quantity	MPQ/MOQ: 1 reel=1,000pcs	1 Inner Box=3 reels=3,000pcs	1 Carton=5 Inner boxes=15,000pcs
Photos			

Gas Discharge Tubes (GDT)

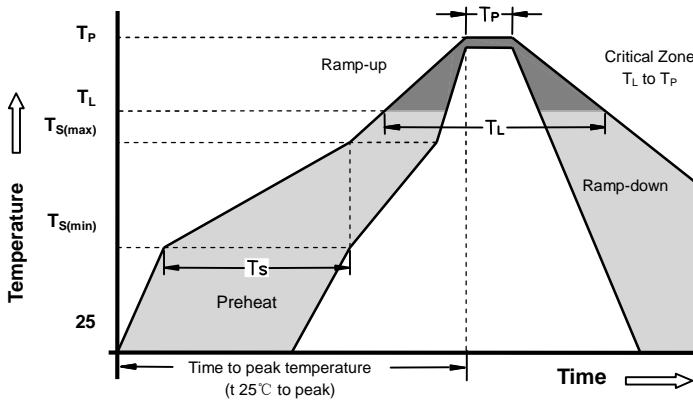
2R-5(1000~4500V)

Soldering Parameters - Wave soldering (Thru-Hole Devices)



Wave Soldering Condition		Pb-Free assembly
Preheat	Temperature Min	100°C
	Temperature Max	150°C
	Time (Min to Max)	60-180 Seconds
Solder Pot Temperature		280°C Max
Solder Dwell Time		2-5 Seconds

Soldering Parameters - Reflow Soldering (Surface Mount Devices)



Reflow Condition		Pb - Free assembly
Preheat	-Temperature Min ($T_{S(min)}$)	150°C
	-Temperature Max ($T_{S(max)}$)	200°C
	- Time (min to max) (t_s)	60 -180 Seconds
Average ramp up rate (Liquids Temp T_L) to peak		3°C/second max
$T_{S(max)}$ to T_L - Ramp-up Rate		5°C/second max
Reflow	- Temperature (T_L) (Liquids)	217°C
	- Time (min to max) (t_s)	60 -150 Seconds
Peak Temperature (T_P)		260 +0/-5°C
Time within 5°C of actual peak Temperature (t_p)		10 - 30 Seconds
Ramp-down Rate		6°C/second max
Time 25°C to peak Temperature (T_P)		8 minutes Max
Do not exceed		260°C

Terms and definitions

NO.	Item	Definitions
1	Gas discharge tube(GDT)	A gap, or several gaps, in an enclosed discharge medium, other than air at atmospheric pressure, designed to protect apparatus or personnel, or both, from high transient voltages. Also referred to as "gas tube surge arrester".
2	DC Spark-over Voltage	The voltage at which the gas discharge tube sparks over with slowly increasing d.c. voltage.
3	Impulse Spark-over Voltage	The highest voltage which appears across the terminals of a gas discharge tube in the period between the application of an impulse of given wave-shape and the time when current begins to flow.
5	Arc voltage	Voltage drop across the GDT during arc current flow.
6	Glow voltage	Peak value of voltage drop across the GDT when a glow current is flowing.
7	Impulse discharge current 8/20μs	Current impulse with a nominal virtual front time of 8 μ s and a nominal time to half-value of 20 μ s.
8	Alternating Discharge Current	The rms value of an approximately sinusoidal alternating current passing through the gas discharge tube.
9	Insulation Resistance	Insulation resistance shall be measured from each terminal to every other terminal of the GDT. The test is performed with DC50V when normal spark-over Voltage 70~150V, others with DC100V.
10	Capacitance	The capacitance shall be measured once at 1 MHz between all terminals unless otherwise specified.